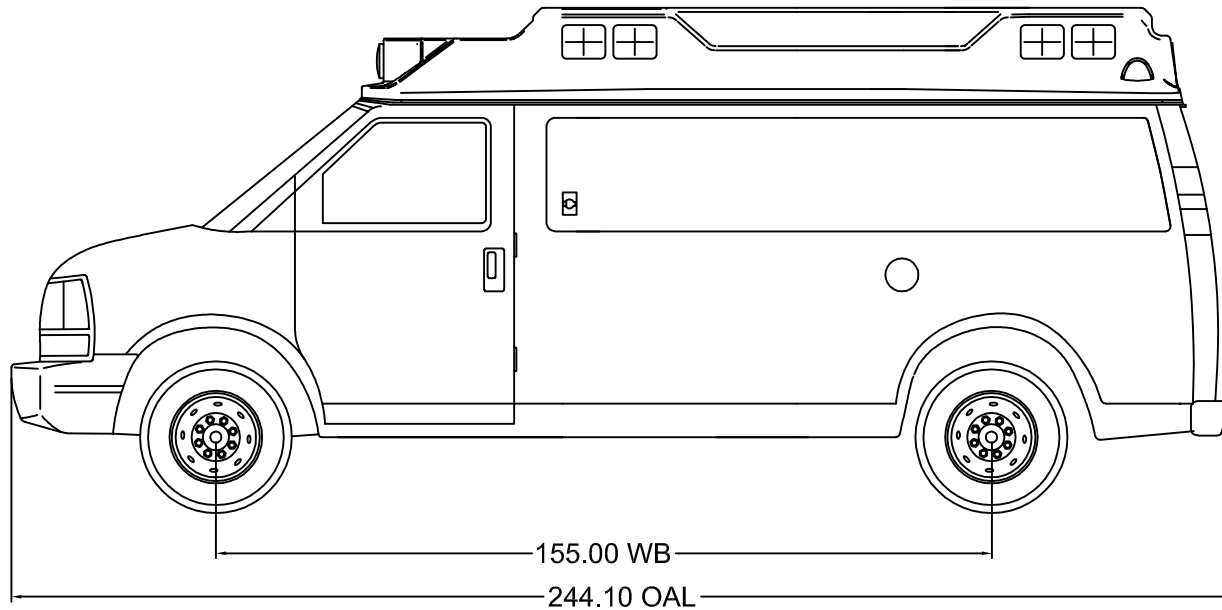


CA080766

MODEL 2155C



EXTERIOR COMPARTMENT DIMENSIONS IN INCHES

INTERIOR DIMENSIONS				JAMB OPENING		INTERIOR DIMENSIONS				JAMB OPENING	
COMPT.	HEIGHT	WIDTH	DEPTH	HEIGHT	WIDTH	COMPT.	HEIGHT	WIDTH	DEPTH	HEIGHT	WIDTH



TYPE II G30 CHEVY 155 WB
LEFT EXTERIOR

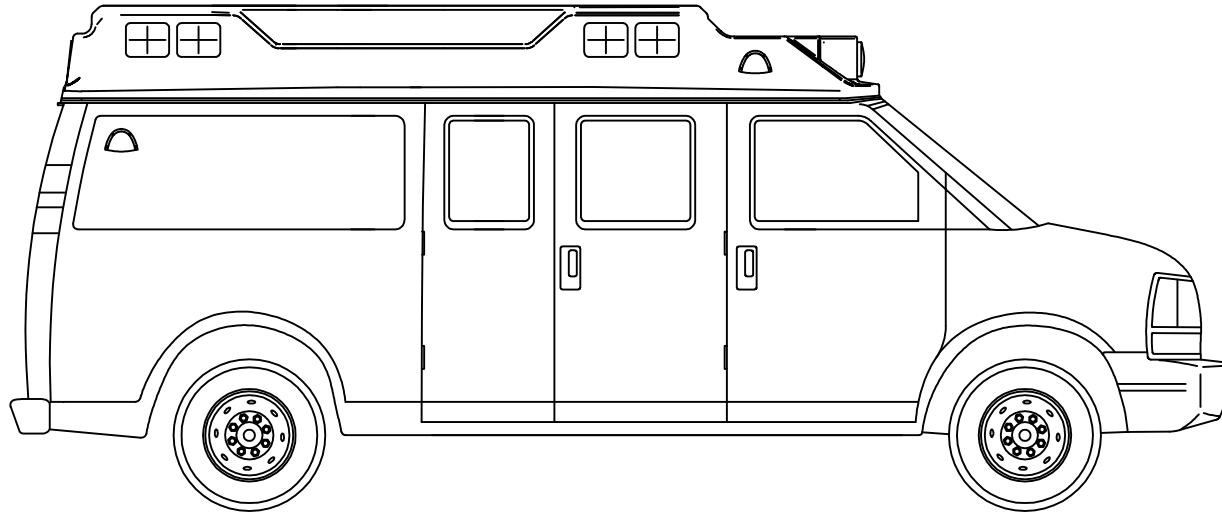
DATE:	8/11/08	SCALE:	
DWN BY:	LJG	DWG NO:	CA080766

WO# 2722489

FOR REFERENCE ONLY

CA080767

MODEL 2155C



EXTERIOR COMPARTMENT DIMENSIONS IN INCHES

INTERIOR DIMENSIONS				JAMB OPENING		INTERIOR DIMENSIONS				JAMB OPENING	
COMPT.	HEIGHT	WIDTH	DEPTH	HEIGHT	WIDTH	COMPT.	HEIGHT	WIDTH	DEPTH	HEIGHT	WIDTH



TYPE II G30 CHEVY 155 WB
RIGHT EXTERIOR

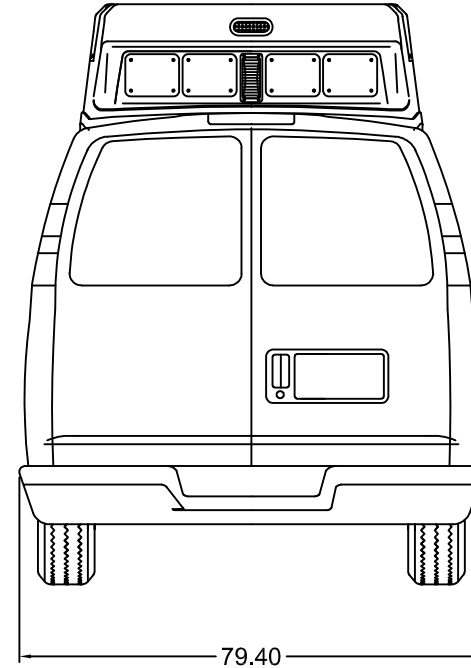
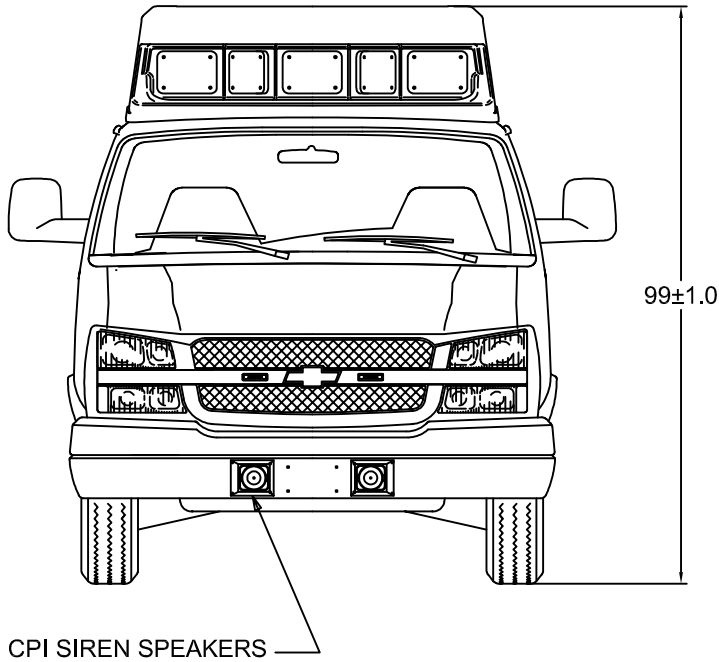
DATE:	8/11/08	SCALE:	
DWG BY:	LJG	DWG NO:	CA080767

WO# 2722489

FOR REFERENCE ONLY

CA080765

MODEL 2155C



EXTERIOR COMPARTMENT DIMENSIONS IN INCHES

INTERIOR DIMENSIONS				JAMB OPENING		INTERIOR DIMENSIONS				JAMB OPENING	
COMPT.	HEIGHT	WIDTH	DEPTH	HEIGHT	WIDTH	COMPT.	HEIGHT	WIDTH	DEPTH	HEIGHT	WIDTH



TYPE II G30 CHEVY 155 WB
FRONT & REAR VIEW

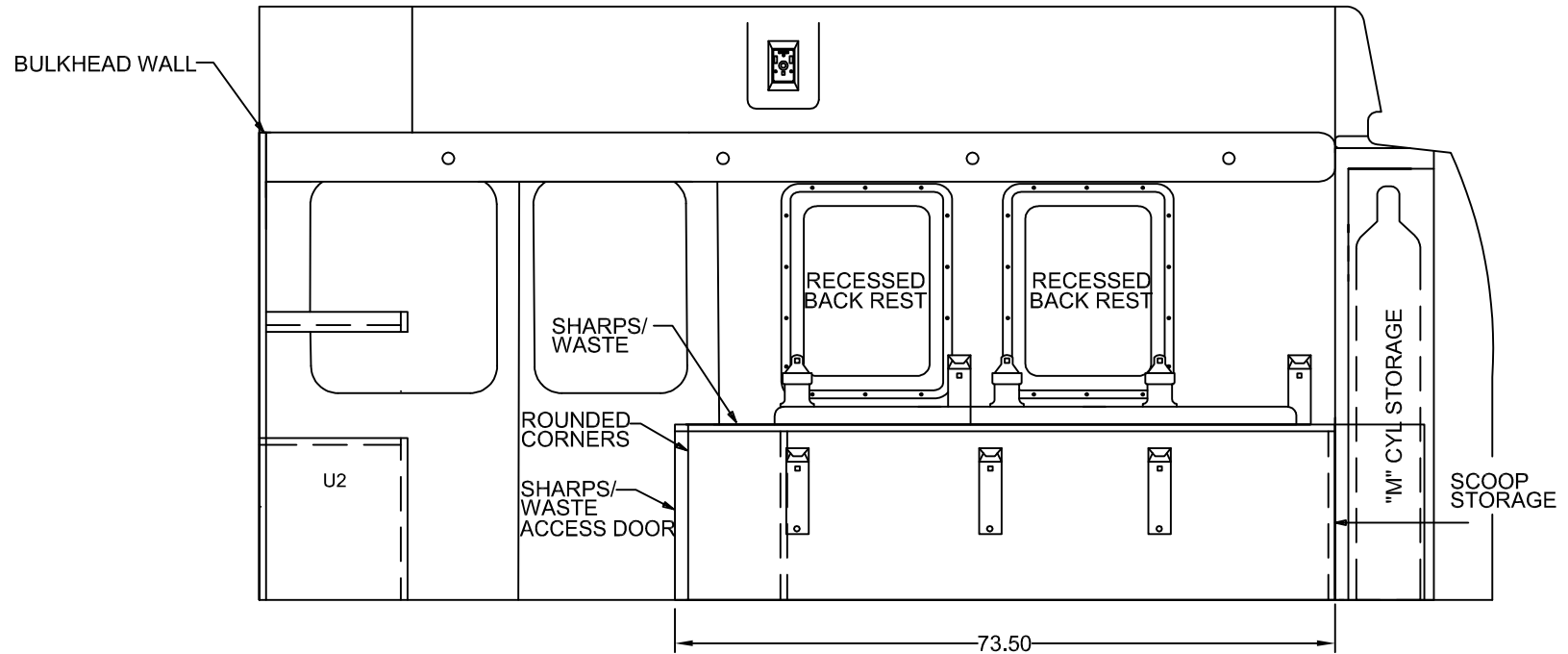
DATE: 8/11/08
DRAWN BY: LJG
SCALE:
DWG NO: CA080765

WO# 2722489

FOR REFERENCE ONLY

CA080770

MODEL 2155C



INTERIOR CABINET DIMENSIONS IN INCHES

CABINET	HEIGHT	WIDTH	DEPTH	CABINET	HEIGHT	WIDTH	DEPTH



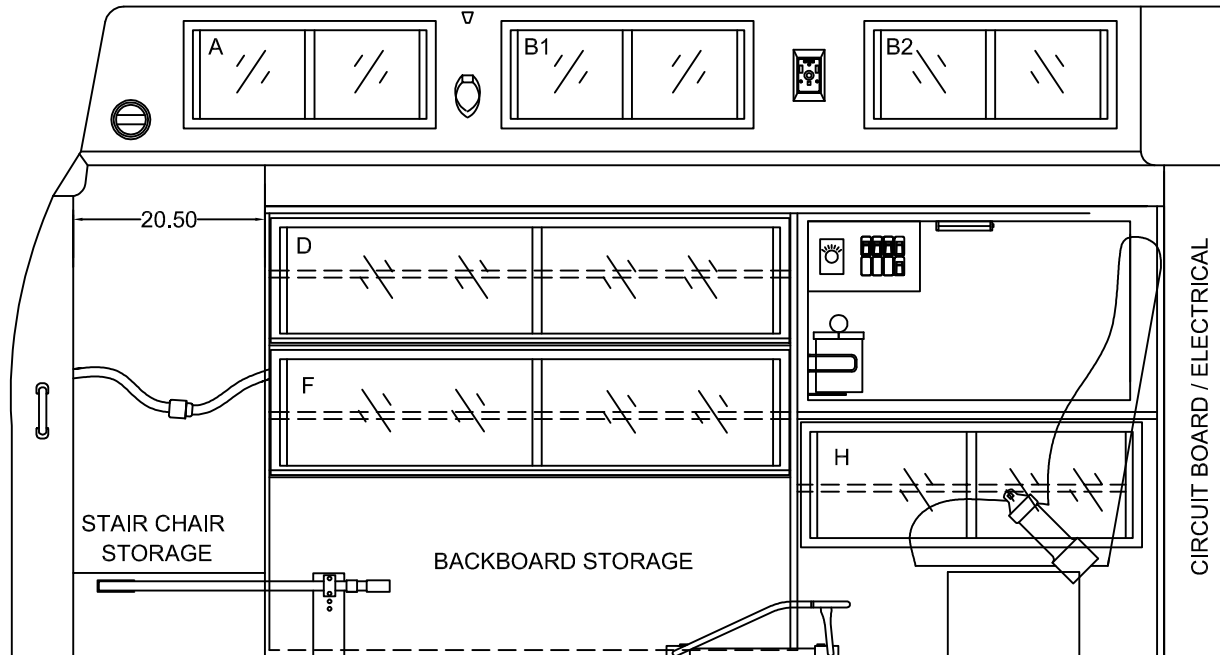
TYPE II CHEVY
RIGHT SIDE INTERIOR

WO# 2722489
FOR REFERENCE ONLY

DATE	08/11/08	SCALE
DRAWN BY	LJG	DWG NO
		CA080770

CA080769

MODEL 2155C



INTERIOR CABINET DIMENSIONS IN INCHES

CABINET	HEIGHT	WIDTH	DEPTH	CABINET	HEIGHT	WIDTH	DEPTH
A	11.50	26.00	4.00				
B1,B2	11.50	26.00	4.00				
D	13.00	58.00	11.25				
F	13.50	58.00	13.25				
H	13.50	38.00	13.50				



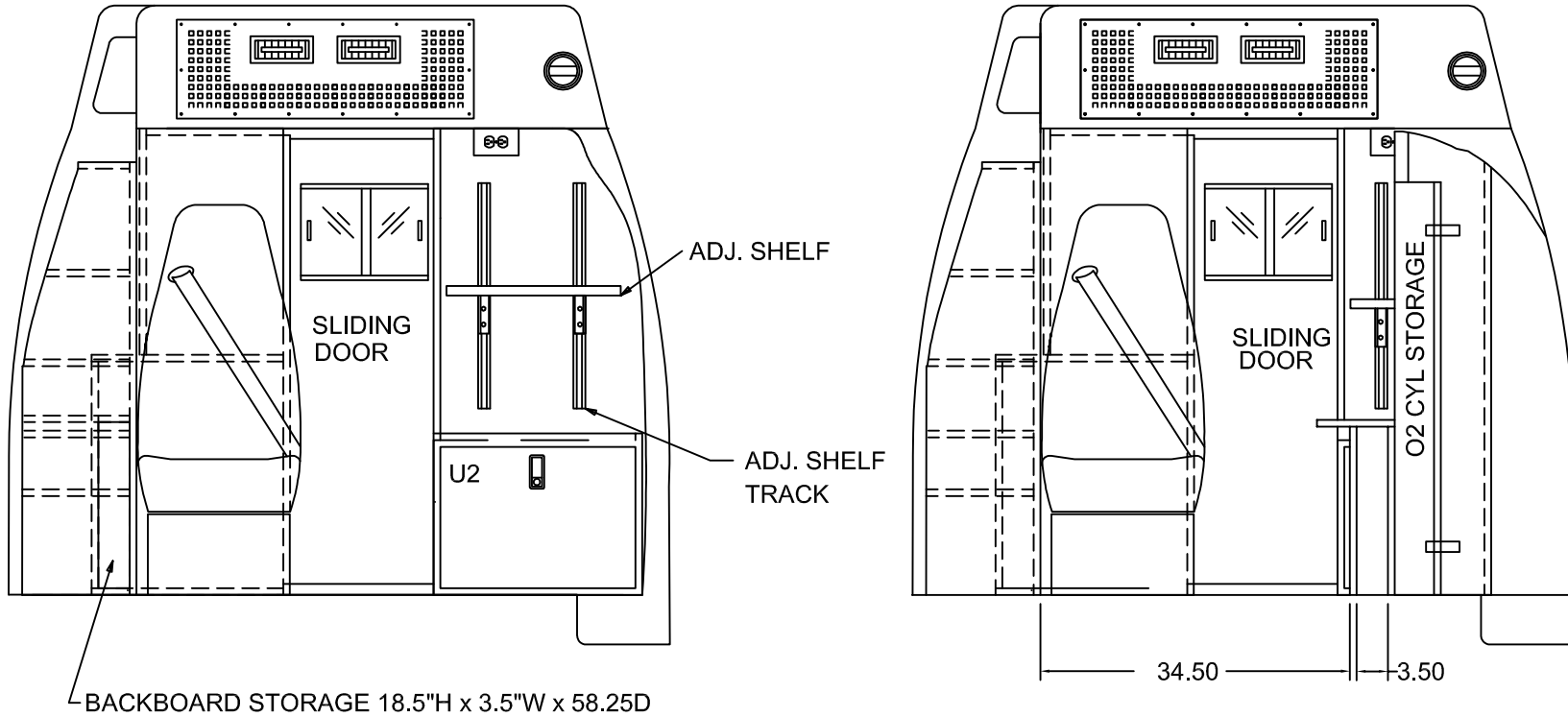
TYPE II CHEVY
LEFT INTERIOR

WO# 2722489
FOR REFERENCE ONLY

DATE	08/11/08	SCALE	
DRAWN BY	LJG	DWG NO	CA080769

CA080768

MODEL 2155C



INTERIOR CABINET DIMENSIONS IN INCHES

CABINET	HEIGHT	WIDTH	DEPTH	CABINET	HEIGHT	WIDTH	DEPTH
U2	15.00	21.75	15.00				



TYPE II CHEVY
BULKHEAD INTERIOR

DATE 08/11/08 SCALE
DRAWN BY LJG DWG NO CA080768

WO# 2722489
FOR REFERENCE ONLY